

**Performance**

Lifting height — on stabilisers	17500.0 mm
Lifting height — on tyres	16200.0 mm
Rated capacity	4000 kg
Capacity (at max. height on stabilisers)	2500 kg
Capacity (at max. height on tyres)	1000 kg
Capacity (at max. reach on stabilisers)	560 kg
Capacity (at max. reach on tyres)	0 kg
Max. reach on stabilisers	13700.0 mm
Max. reach on tyres	12800.0 mm
Crowding force	4900 daN

**Weights**

Weight (unladen)	10790 kg
------------------	----------

**Traction**

Standard tyres	400/80x24
1st gear / low range	8.5 km/h
2nd gear / high range	30.0 km/h
Driving modes	Direct drive / soft drive

**Drive System**

Main drive	Hydrostatic motor
Transmission	Hydrostatic with electronic regulation

**Engine**

Make / Model	DEUTZ / TCD 3.6 L4
Fuel	Diesel
Cooling	Liquid
Rated power (ISO 14396) at 2300 RPM	74.4 kW
Maximum torque at 1600 RPM	410.0 Nm
Number of cylinders	4
Displacement	3.62 L

**Hydraulic System**

Pump type	Gear pump with LS valve
Combined pump capacity	100.00 L/min

**Cycle Times**

Lift time - no load	12.8 s
Lower time - no load	8.4 s
Telescope in time at max. reach - no load	20.3 s
Telescope in time at max. height - no load	17.7 s
Telescope out time at max. reach - no load	29.0 s
Telescope out time at max. height - no load	29.0 s

**Brakes**

Engine braking	Hydrostatic
Parking and emergency brake	Negative brake with hydraulic command

**Fluid Capacities**

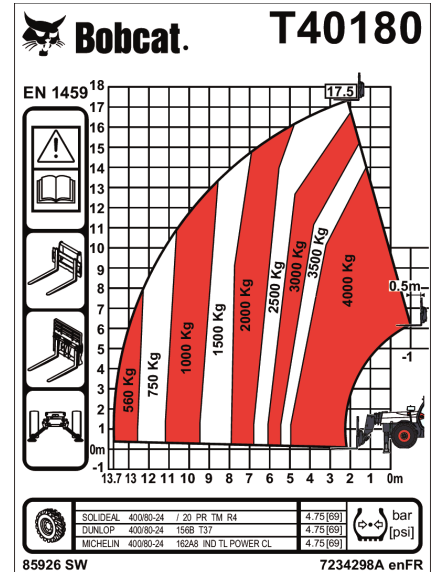
Fuel tank	145.00 L
Hydraulic reservoir	76.00 L

**Environmental**

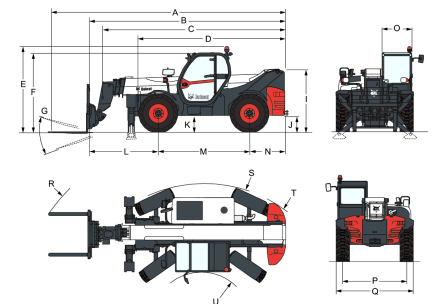
Operator noise level (LpA) (EN 12053)	79 dB(A)
Level of acoustic power (LWA)	106 dB(A)
Whole body vibration (EN 13059)	0.29 ms <sup>-2</sup>

**Load Charts**

With forks and standard 400/80x24 tyres, on stabilisers



Complies with stability test EN1459 Annex B

**Dimensions**


(-)	16.0°	(M)	2850.0 mm
(-)	109.0°	(O)	930.0 mm
(A)	7425.0 mm	(P)	1992.0 mm
(B)	6164.0 mm	(Q)	2394.0 mm
(E)	2670.0 mm	(R)	5822.0 mm
(F)	2476.0 mm	(S)	3782.0 mm
(G)	124.0°	(U)	1761.0 mm
(J)	500.0 mm		