

**Performance**

Lifting height — on stabilisers	12468.0 mm
Lifting height — on tyres	11658.0 mm
Rated capacity	3500 kg
Capacity (at max. height on stabilisers)	3500 kg
Capacity (at max. height on tyres)	500 kg
Capacity (at max. reach on stabilisers)	1300 kg
Capacity (at max. reach on tyres)	400 kg
Max. reach on tyres	8764.0 mm
Crowding force	12300 daN

**Weights**

Weight (unladen)	8720 kg
------------------	---------

**Traction**

Standard tyres	BASIC TYRES 405/70-20 16PR
1st gear / low range	7.0 km/h
1st gear / high range	26.0 km/h
Low speed (forward/reverse) with 24" tyres	8.5 km/h
High speed (forward/reverse) with 24" tyres	30.0 km/h

**Drive System**

Main drive	Hydrostatic motor
Transmission	Hydrostatic with electronic regulation

**Engine**

Make / Model	DEUTZ / TCD 3.6 L4
Fuel	Diesel
Cooling	Liquid
Rated power (ISO 14396:2002) at 2300 RPM:	74.4 kW
Maximum torque at 1600 RPM:	410.0 Nm
Number of cylinders	4
Displacement	3.62 L

**Hydraulic System**

Pump type	Gear pump with LS valve
-----------	-------------------------

**Cycle Times**

Lift time - no load	12.8 s
Lower time - no load	8.4 s
Telescope in time at max. reach - no load	11.5 s
Telescope in time at max. height - no load	10.3 s
Telescope out time at max. reach - no load	17.0 s
Telescope out time at max. height - no load	17.0 s

**Brakes**

Engine braking	Hydrostatic
Parking and emergency brake	Negative brake with hydraulic command

**Fluid Capacities**

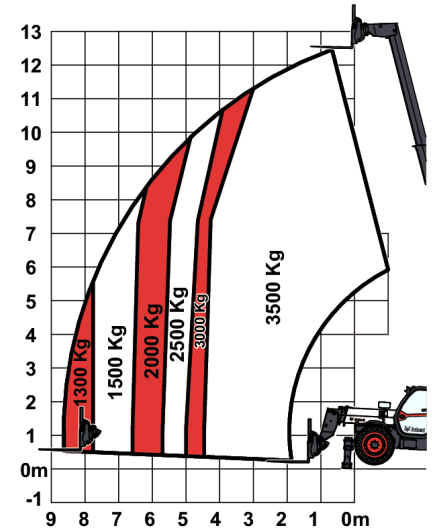
Fuel tank	145.00 L
Hydraulic reservoir	76.00 L

**Environmental**

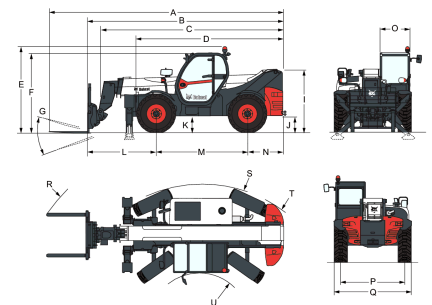
Operator noise level (LpA) (EN 12053)	76 dB(A)
Operator noise level (LpA) (EN 12053) uncertainty	4 dB(A)
Level of acoustic power (LWA)	106 dB(A)
Whole body vibration (EN 13059)	1.40 ms <sup>-2</sup>
Whole body vibration uncertainty (EN 13059)	0.40 ms <sup>-2</sup>

**Load Charts**

With forks and standard 405/70x20 tyres, on stabilisers



Complies with stability test EN1459 Annex B

**Dimensions**


(-) 857.0 mm	(L) 1919.0 mm
(A) 7081.0 mm	(M) 2850.0 mm
(B) 5876.0 mm	(N) 1107.0 mm
(C) 5850.0 mm	(O) 930.0 mm
(D) 4497.0 mm	(P) 1992.0 mm
(E) 2586.0 mm	(Q) 2418.0 mm
(F) 2393.0 mm	(R) 5696.0 mm
(G) 124.0°	(S) 4150.0 mm
(I) 1869.0 mm	(U) 1519.0 mm
(J) 422.0 mm	