

Performance

| | |
|------------------------------------|-----------|
| Lifting height — on tyres | 6889.0 mm |
| Rated capacity | 3500 kg |
| Capacity (at max. height on tyres) | 3500 kg |
| Capacity (at max. reach on tyres) | 1500 kg |
| Max. reach on tyres | 4002.0 mm |

Weights

| | |
|------------------|---------|
| Weight (unladen) | 7330 kg |
|------------------|---------|

Traction

| | |
|--|-------------------------|
| Standard tyres | SOLIDEAL 405/70-20 14PR |
| 1st gear / low range (40 km/h option) | 6 (6) km/h |
| 1st gear / high range (40 km/h option) | 11 (12) km/h |
| 2nd gear / low range (40 km/h option) | 16 (18) km/h |
| 2nd gear / high range (40 km/h option) | 30 (40) km/h |

Drive System

| | |
|--------------|--|
| Main drive | Hydrostatic motor + 2 speed gearbox |
| Transmission | Hydrostatic with electronic regulation |

Engine

| | |
|--|------------|
| Make / Model | Bobcat D34 |
| Fuel | Diesel |
| Cooling | Coolant |
| Rated power (ISO 14396:2002) at 2400 RPM | 74.5 kW |
| Maximum torque at 1400 RPM | 430.0 Nm |
| Number of cylinders | 4 |
| Displacement | 3.40 L |

Hydraulic System

| | |
|-----------|-------------------------|
| Pump type | Gear pump with LS valve |
|-----------|-------------------------|

Cycle Times

| | |
|---|-------|
| Lift time - no load | 8.0 s |
| Lower time - no load | 6.0 s |
| Telescope in time at max. reach - no load | 6.5 s |
| Telescope in time at max. height - no load | 6.5 s |
| Telescope out time at max. reach - no load | 7.1 s |
| Telescope out time at max. height - no load | 7.1 s |

Brakes

| | |
|-----------------------------|---------------|
| Engine braking | Hydrostatic |
| Parking and emergency brake | Passive brake |

Fluid Capacities

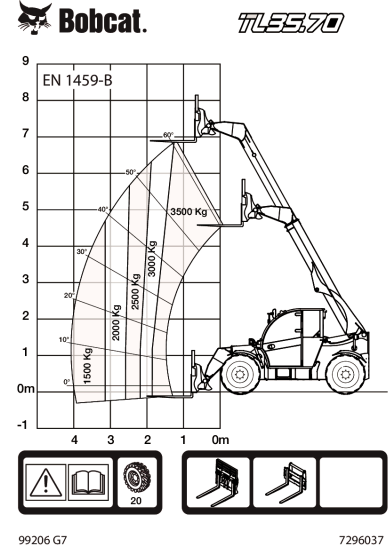
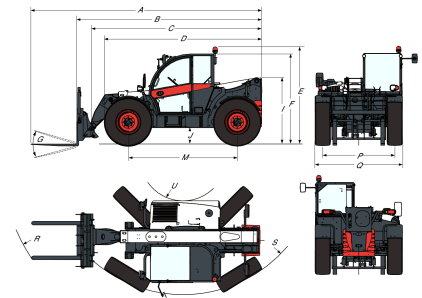
| | |
|---------------------|----------|
| Fuel tank | 138.00 L |
| Hydraulic reservoir | 59.00 L |

Environmental

| | |
|---------------------------------------|-----------------------|
| Operator noise level (LpA) (EN 12053) | 74 dB(A) |
| Level of acoustic power (LWA) | 106 dB(A) |
| Whole body vibration (EN 13059) | 1.20 ms ⁻² |

Load Charts

With forks on 20 inch tyres


Dimensions


| | |
|---------------|---------------|
| (-) 900.0 mm | (L) 1356.0 mm |
| (A) 6074.0 mm | (M) 2870.0 mm |
| (B) 4869.0 mm | (N) 643.0 mm |
| (C) 4763.0 mm | (O) 1013.0 mm |
| (D) 4058.0 mm | (P) 1895.0 mm |
| (E) 2477.0 mm | (Q) 2300.0 mm |
| (F) 2290.0 mm | (R) 4925.0 mm |
| (G) 135.0° | (S) 5015.0 mm |
| (I) 1668.0 mm | (T) 3714.0 mm |
| (J) 346.0 mm | (U) 1092.0 mm |