

Performance

| | |
|------------------------------------|-----------|
| Lifting height — on tyres | 6415.0 mm |
| Rated capacity | 3400 kg |
| Capacity (at max. height on tyres) | 3400 kg |
| Capacity (at max. reach on tyres) | 1300 kg |
| Max. reach on tyres | 3369.0 mm |

Weights

| | |
|------------------|---------|
| Weight (unladen) | 6690 kg |
|------------------|---------|

Traction

| | |
|-----------------------|---|
| Standard tyres | MICHELIN 460/70R24 159A8/159B IND TL XMCL |
| 1st gear / low range | 6.0 km/h |
| 1st gear / high range | 12.0 km/h |
| 2nd gear / low range | 18.0 km/h |
| 2nd gear / high range | 40.0 km/h |

Drive System

| | |
|--------------|--|
| Main drive | Hydrostatic motor + 2 speed gearbox |
| Transmission | Hydrostatic with electronic regulation |

Engine

| | |
|--|------------|
| Make / Model | Bobcat D34 |
| Fuel | Diesel |
| Cooling | Coolant |
| Rated power (ISO 14396:2002) at 2400 RPM | 97.0 kW |
| Maximum torque at 1400 RPM | 500.0 Nm |
| Number of cylinders | 4 |
| Displacement | 3.40 L |

Hydraulic System

| | |
|-----------|---|
| Pump type | LS piston pump with electric displacement limiter |
|-----------|---|

Cycle Times

| | |
|---|-------|
| Lift time - no load | 4.9 s |
| Lower time - no load | 4.3 s |
| Telescope in time at max. reach - no load | 3.7 s |
| Telescope in time at max. height - no load | 3.7 s |
| Telescope out time at max. reach - no load | 4.0 s |
| Telescope out time at max. height - no load | 3.8 s |

Brakes

| | |
|-----------------------------|---------------|
| Engine braking | Hydrostatic |
| Parking and emergency brake | Passive brake |

Fluid Capacities

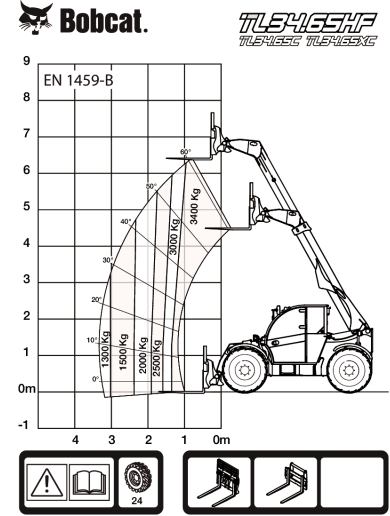
| | |
|---------------------|----------|
| Fuel tank | 138.00 L |
| Hydraulic reservoir | 59.00 L |

Environmental

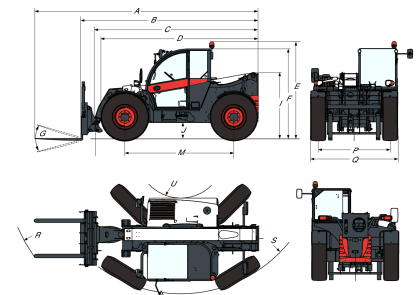
| | |
|---------------------------------------|-----------------------|
| Operator noise level (LpA) (EN 12053) | 77 dB(A) |
| Level of acoustic power (LWA) | 107 dB(A) |
| Whole body vibration (EN 13059) | 1.20 ms ⁻² |

Load Charts

With forks on 24 inch tyres



Dimensions



| | | | |
|-----|-----------|-----|-----------|
| (-) | 900.0 mm | (L) | 1156.0 mm |
| (A) | 5874.0 mm | (M) | 2870.0 mm |
| (B) | 4669.0 mm | (N) | 643.0 mm |
| (C) | 4563.0 mm | (O) | 1013.0 mm |
| (D) | 4145.0 mm | (P) | 1895.0 mm |
| (E) | 2561.0 mm | (Q) | 2300.0 mm |
| (F) | 2374.0 mm | (R) | 4758.0 mm |
| (G) | 135.0° | (S) | 4852.0 mm |
| (I) | 1752.0 mm | (T) | 3714.0 mm |
| (J) | 430.0 mm | (U) | 1092.0 mm |